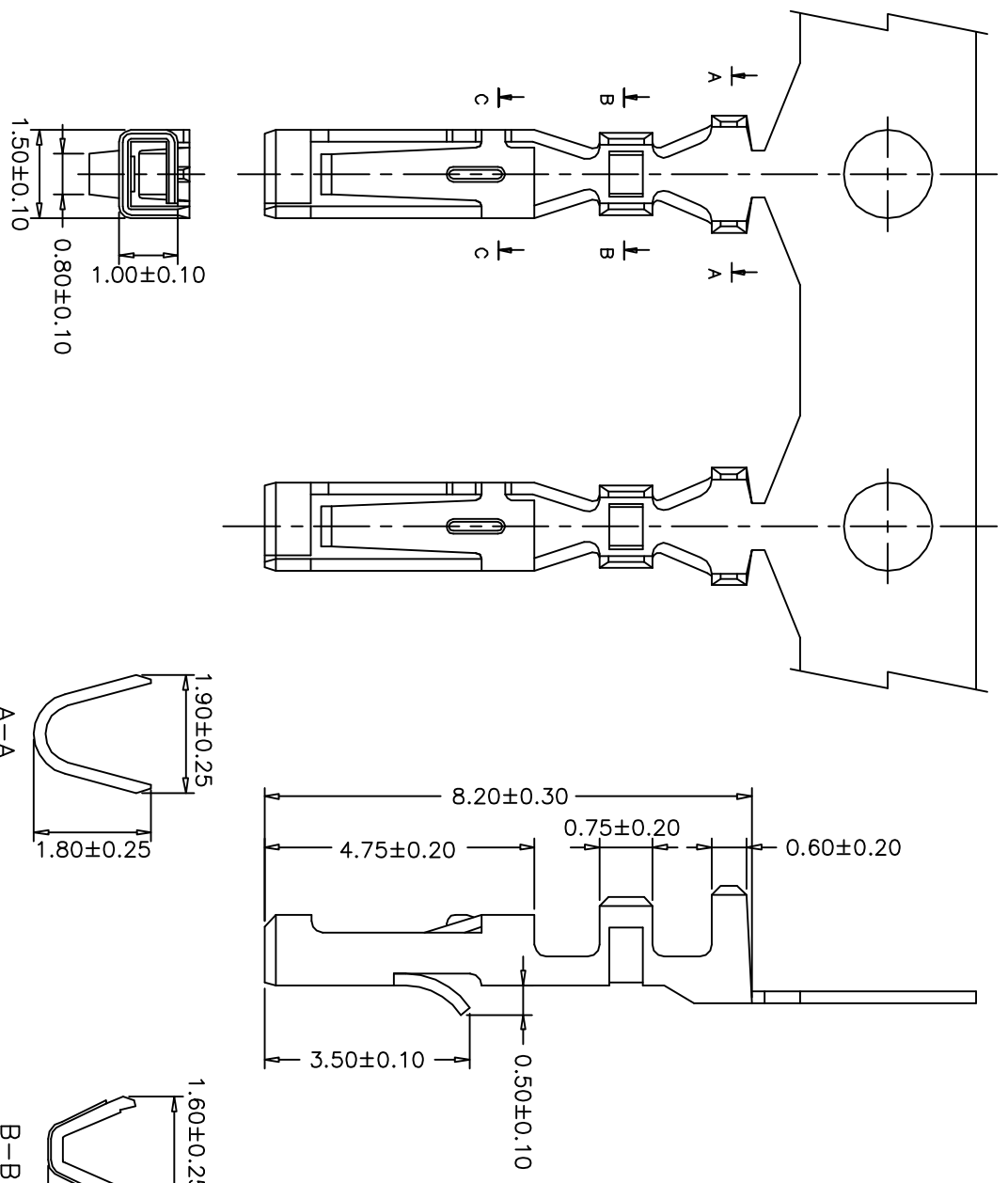


SPECIFICATIONS
 Voltage Rating: 125V AC/DC
 Current Rating: 2A AC/DC
 Withstanding Voltage: 500V AC/minute
 Insulation Resistance: 1,000MΩ min.
 Temperature Range: -25° C - +85° C
 Contact Resistance: 20mΩ max

TERMINAL
 Part No: SCT2008FTP
 Wire Range: AWG#24-#28 (OD1.15mm)
 Material: Phos. Bronze
 Finish: Tin Plated
 Thickness: 0.20mm
 Q'TY: 17,000PCS/Reel



OPERATION	~ 10	± 0.15	DRAW	YANG	2016.10.31	SCALE	森康达电子有限公司 SCONDAR ELECTRONIC LIMITED		
DESIGN	20 ~ 30	± 0.30	CHECK	MICKY	2016.10.31	UNIT	A4	PART NO.	SCT2008FTP
Angle	30 ~	± 0.50	APPROVE	ALLEN	2016.10.31	SIZE	1/1	TITLE:	MX51005 FEMALE TERMINAL
DIM	$\pm 2'$	TOL.	APPROVE			SHEET		DRAWING NO.	SCT2008
REV	DATE	MODIFICATION DESCRIPTION	CHANGE	APPROVE		PROJ.			
0	05/12/27	NEW							