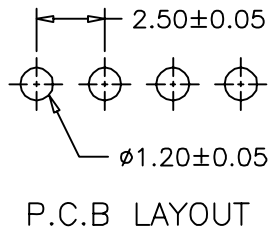
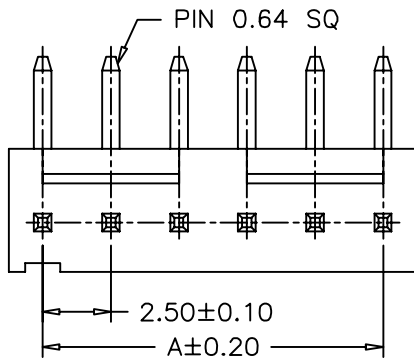


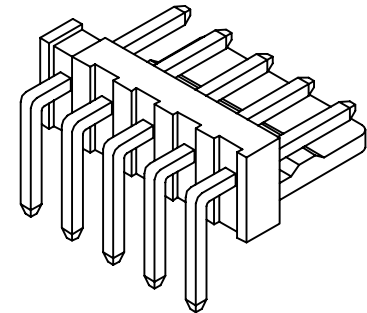
1 2 3 4 5 6 7 8 9 10

A
B
C
D
E
F
G



SPECIFICATIONS

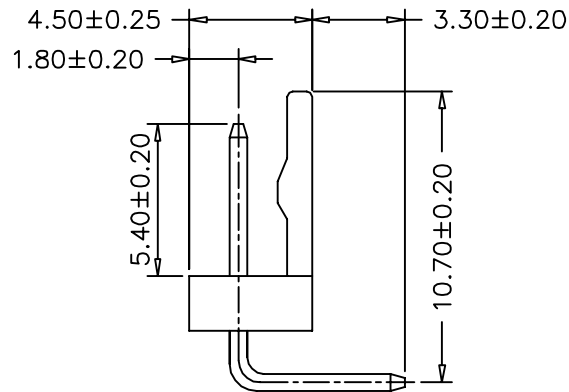
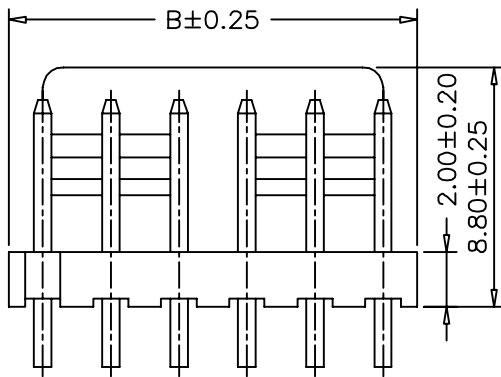
Voltage Rating: 250V AC/DC
 Current Rating: 3A AC/DC
 Withstanding Voltage: 800V AC/minute
 Insulation Resistance: 1000MΩ min.
 Temperature Range: -25° C - +85° C
 Contact Resistance: 20mΩ max




WAFER

Part No: SCT2503WR-XXP
 Poles: 2-20
 Material: Nylon 66, UL94V-2
 Pin: Brass, Tin plated

PART NO.	Dimensions	
	A	B
SCT2503WR-02P	2.50	5.00
SCT2503WR-03P	5.00	7.50
SCT2503WR-04P	7.50	10.00
SCT2503WR-05P	10.00	12.50
SCT2503WR-06P	12.50	15.00
SCT2503WR-07P	15.00	17.50
SCT2503WR-08P	17.50	20.00
SCT2503WR-09P	20.00	22.50
SCT2503WR-10P	22.50	25.00
SCT2503WR-11P	25.00	27.50
SCT2503WR-12P	27.50	30.00
SCT2503WR-13P	30.00	32.50
SCT2503WR-14P	32.50	35.00
SCT2503WR-15P	35.00	37.50
SCT2503WR-16P	37.50	40.00
SCT2503WR-17P	40.00	42.50
SCT2503WR-18P	42.50	45.00
SCT2503WR-19P	45.00	47.50
SCT2503WR-20P	47.50	50.00



H

					OPERATION	DRAW	CHENA	05/12/27	SCALE		 森康达电子有限公司 SCONDAR ELECTRONIC LIMITED	
					~ 10 ±0.15	DESIGN			UNIT	mm		
					20 ~ 30 ±0.30	CHECK	MICKY	05/12/28	SIZE	A4	PART NO.	SCT2503WR-XXP
					30 ~ ±0.50	APPROVE	HELLEN	05/12/28	SHEET	1/1	TITLE:	Dupont 2.5 90C WAFER
REV	DATE	MODIFICATION DESCRIPTION	CHANGE	APPROVE	Angle DIM	± 2' TOL			PROJ.	↻	DRAWING NO.	SCT2503

1 2 3 4 5 6 7 8 9 10