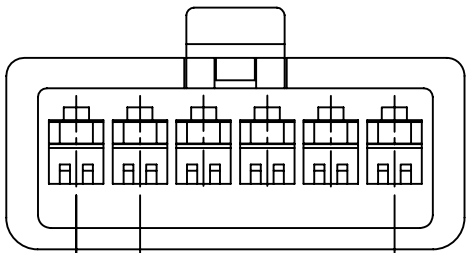
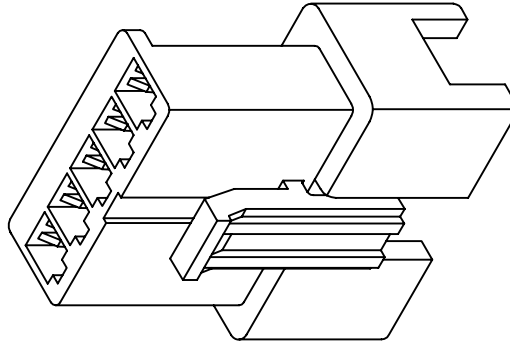


1 2 3 4 5 6 7 8 9 10

A



2.50 ± 0.10
 $A \pm 0.20$



SPECIFICATIONS

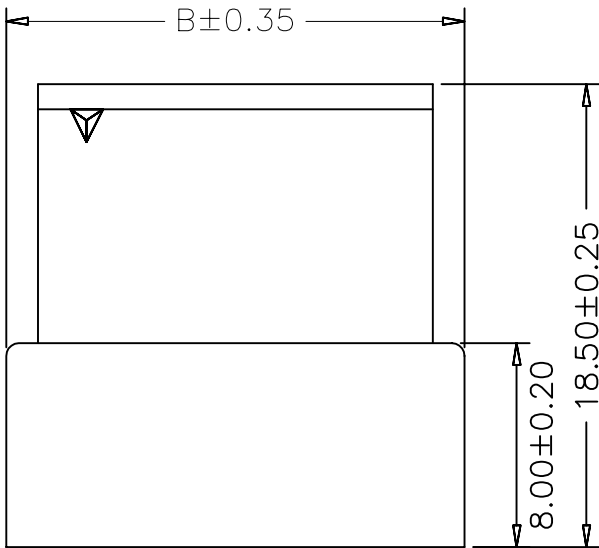
Voltage Rating: 250V AC/DC
Current Rating: 3A AC/DC
Withstanding Voltage: 1500V AC/minute
Insulation Resistance: 500MΩ min.
Temperature Range: -25° C - +85° C
Contact Resistance: 20mΩ max

HOUSING

Part No: SCT2505FH-XXP
Poles: 2-12
Material: Nylon 66, UL94V-2

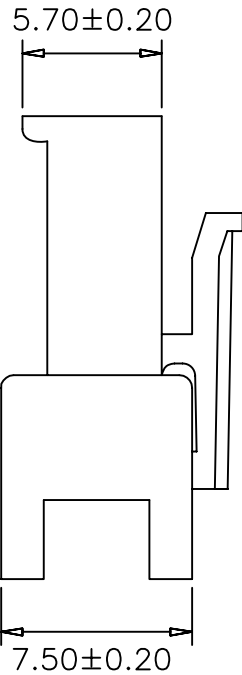
B

C



$B \pm 0.35$

18.50 ± 0.25
 8.00 ± 0.20



5.70 ± 0.20

7.50 ± 0.20

PART NO.	Dimensions	
	A	B
SCT2505FH-2P	2.50	8.00
SCT2505FH-3P	5.00	10.50
SCT2505FH-4P	7.50	13.00
SCT2505FH-5P	10.00	15.50
SCT2505FH-6P	12.50	18.00
SCT2505FH-7P	15.00	20.50
SCT2505FH-8P	17.50	23.00
SCT2505FH-9P	20.00	25.50
SCT2505FH-10P	22.50	28.00
SCT2505FH-11P	25.00	30.50
SCT2505FH-12P	27.50	33.00


D

E

F

G

H

					OPERATION	DRAW	CHENA	2004.09.11	SCALE		 森康达电子有限公司 SCONDAR ELECTRONIC LIMITED	
					~ 10 ±0.15	DESIGN			UNIT	mm		
					20 ~ 30 ±0.30	CHECK	MICKY	2004.09.14	SIZE	A4	PART NO.	SCT2505FH-XXP
0	05/12/27				30 ~ ±0.50	APPROVE	HELLEN	2004.09.18	SHEET	1/1	TITLE:	SM2.5 FEMALE HOUSING
REV	DATE	MODIFICATION DESCRIPTION	CHANGE	APPROVE	Angle ± 2° DIM TOL	APPROVE	HELLEN	2004.09.18	PROJ.	☞	DRAWING NO.	SCT2505

1 2 3 4 5 6 7 8 9 10