

1 2 3 4 5 6 7 8 9 10

A

A

B

B

C

C

D

D

E

E

F

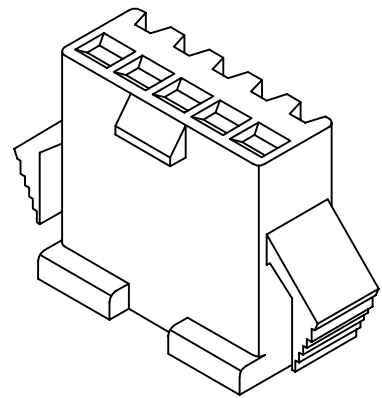
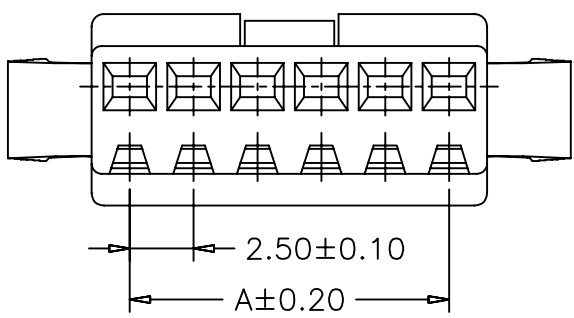
F

G

G

H

H

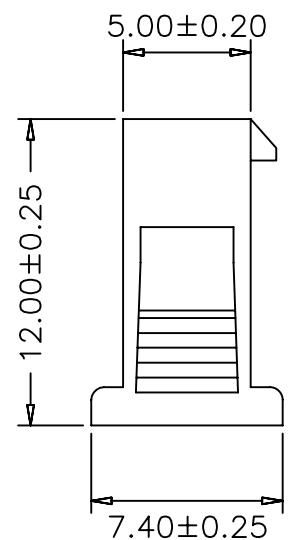
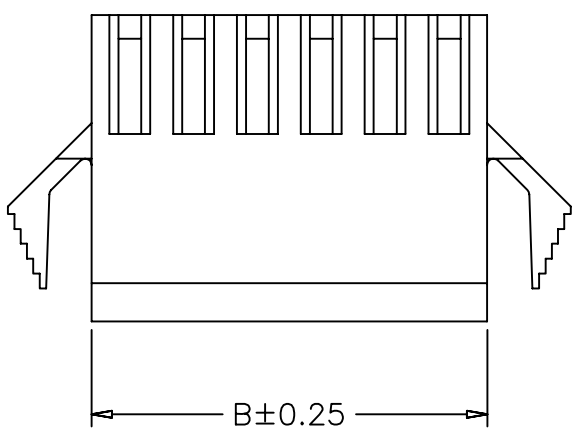


**SPECIFICATIONS**


Voltage Rating: 250V AC/DC  
 Current Rating: 3A AC/DC  
 Withstanding Voltage: 1500V AC/minute  
 Insulation Resistance: 500MΩ min.  
 Temperature Range: -25° C - +85° C  
 Contact Resistance: 20mΩ max

**HOUSING**

Part No: SCT2505MH-XXP  
 Poles: 2-12  
 Material: Nylon 66, UL94V-2



PART NO.	Dimensions	
	A	B
SCT2505MH-2P	2.50	5.50
SCT2505MH-3P	5.00	8.00
SCT2505MH-4P	7.50	10.50
SCT2505MH-5P	10.00	13.00
SCT2505MH-6P	12.50	15.50
SCT2505MH-7P	15.00	18.00
SCT2505MH-8P	17.50	20.50
SCT2505MH-9P	20.00	23.00
SCT2505MH-10P	22.50	25.50
SCT2505MH-11P	25.00	28.00
SCT2505MH-12P	27.50	30.50

					OPERATION	DRAW	CHENA	2004.09.11	SCALE		 森康达电子有限公司 SCONDAR ELECTRONIC LIMITED	
					~ 10 ±0.15	DESIGN			UNIT	mm		
					20 ~ 30 ±0.30	CHECK	MICKY	2004.09.14	SIZE	A4	PART NO.	SCT2505MH-XXP
0	05/12/27				30 ~ ±0.50	APPROVE	HELLEN	2004.09.18	SHEET	1/1	TITLE:	SM2.5 MALE HOUSING
REV	DATE	MODIFICATION DESCRIPTION	CHANGE	APPROVE	Angle ± 2'	DIM TOL			PROJ.	↻	DRAWING NO.	SCT2505

1 2 3 4 5 6 7 8 9 10