

P.C.B LAYOUT

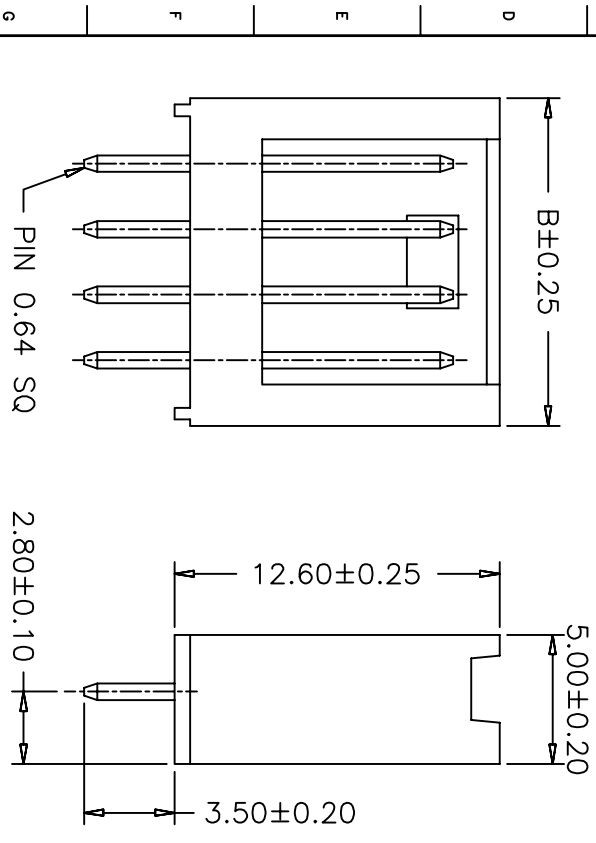
PART NO.	Dimensions	
	A	B
SCT2542WV-02P	2.54	7.62
SCT2542WV-03P	5.08	10.16
SCT2542WV-04P	7.62	12.70
SCT2542WV-05P	10.16	15.24
SCT2542WV-20P	48.26	53.34
SCT2542WV-21P	50.80	55.88
SCT2542WV-22P	53.34	58.42

SPECIFICATIONS

Voltage Rating: 250V AC/DC
 Current Rating: 3A AC/DC
 Withstanding Voltage: 1000V AC/minute
 Insulation Resistance: 1000MΩ min.
 Temperature Range: -25° C - +85° C
 Contact Resistance: 20mΩ max

WAFER

Part No: SCT2542WV-XXP
 Poles: 2-22P
 Material: Nylon 66, UL94V-0
 Pin: Brass, Tin plated



REV	DATE	MODIFICATION DESCRIPTION	CHANGE	APPROVE	OPERATION	DRAW	CHENA	SCALE	SCONDAR 森康达电子有限公司 SCONDAR ELECTRONIC LIMITED	
0	05/12/27	NEW			~ 10 ±0.15	DESIGN		mm	A4	SCT2542WV-XXP
					20 ~ 30 ±0.30	CHECK	MICKY	SIZE	1/1	AMP280358 180C Wafer
					30 ~ Angle ± 2'	APPROVE	HELLEN	SHEET		
					DIM TOL		2006.08.12	PROJ.		
1										DRAWING NO. SCT2542