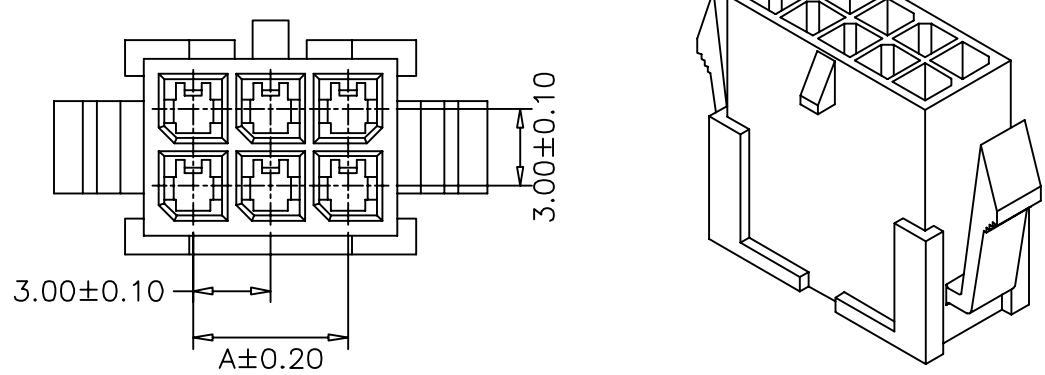


1 2 3 4 5 6 7 8 9 10

A
B
C
D
E
F
G

A
B
C
D
E
F
G

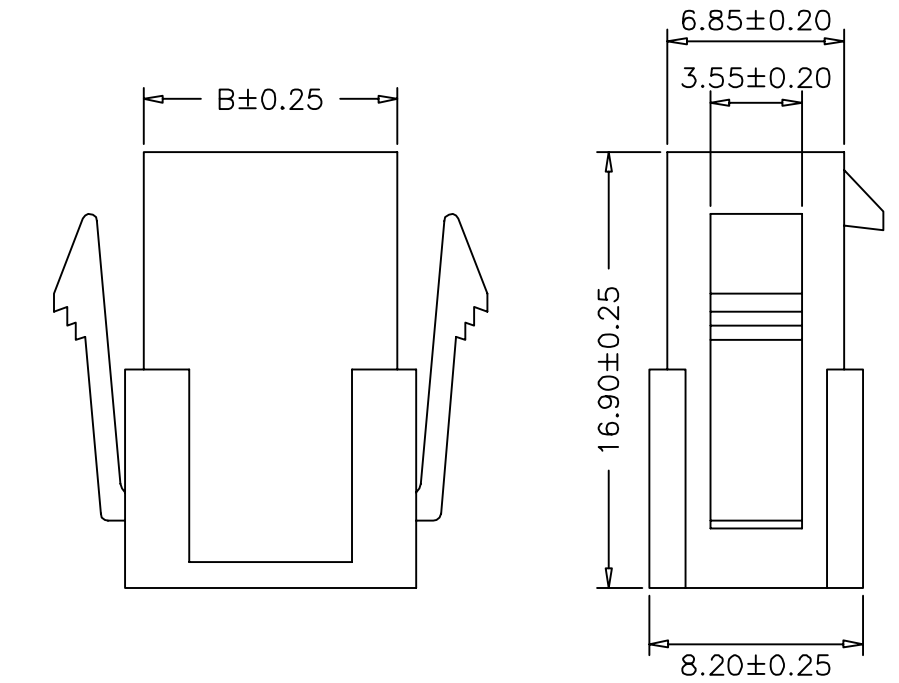


SPECIFICATIONS

Voltage Rating: 250V AC/DC
 Current Rating: 5A AC/DC
 Withstanding Voltage: 1500V AC/minute
 Insulation Resistance: 1000MΩ min.
 Temperature Range: -25° C - +85° C
 Contact Resistance: 20mΩ max

HOUSING

Part No: SCT3001FH-2xXXP
 Poles: 2-12
 Material: Nylon 66, UL94V-2



PART NO.	Dimensions	
	A	B
SCT3001FH-2X01P	---	3.85
SCT3001FH-2X02P	3.00	6.85
SCT3001FH-2X03P	6.00	9.85
SCT3001FH-2X04P	9.00	12.85
SCT3001FH-2X05P	12.00	15.85
SCT3001FH-2X06P	15.00	18.85
SCT3001FH-2X07P	18.00	21.85
SCT3001FH-2X08P	21.00	24.85
SCT3001FH-2X09P	24.00	27.85
SCT3001FH-2X10P	27.00	30.85
SCT3001FH-2X11P	30.00	33.85
SCT3001FH-2X12P	33.00	36.85

					OPERATION	DRAW	JUDY	2007.05.09	SCALE		森康达电子有限公司 SCONDAR ELECTRONIC LIMITED	
					~ 10 ±0.15	DESIGN			UNIT	mm		
					20 ~ 30 ±0.30	CHECK	MICKY	2007.05.09	SIZE	A4	PART NO.	SCT3001FH-2xXXP
0	05/12/27				30 ~ ±0.50	APPROVE	HELLEN	2007.05.09	SHEET	1/1	TITLE:	MOLEX3.0 FEMALE HOUSING
REV	DATE	MODIFICATION DESCRIPTION	CHANGE	APPROVE	Angle ± 2' DIM TOL	APPROVE	HELLEN	2007.05.09	PROJ.	DRAWING NO.		SCT3001

1 2 3 4 5 6 7 8 9 10