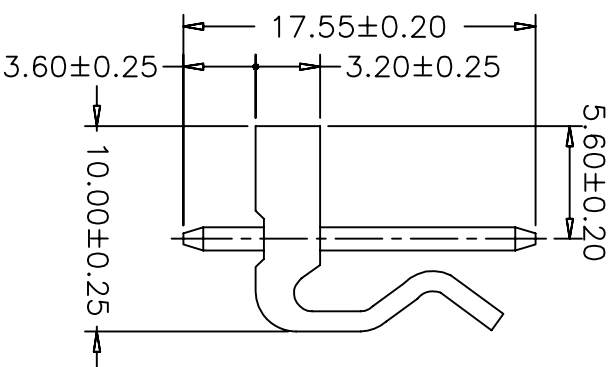
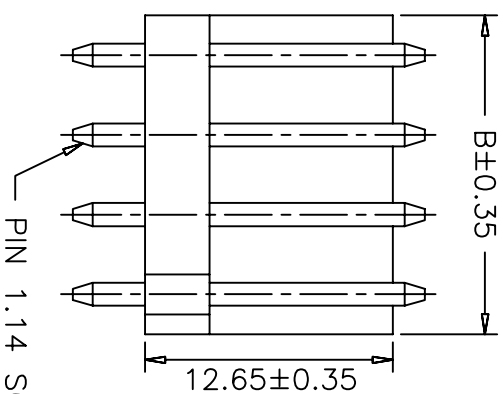
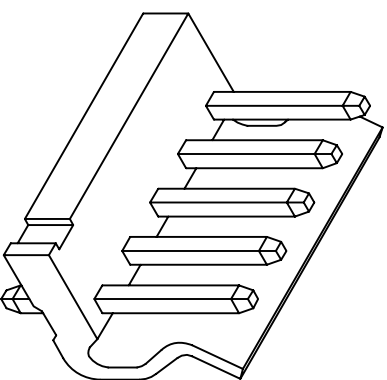


P.C.B LAYOUT



PART NO.	Dimensions		PART NO.	Dimensions	
	A	B		A	B
SCT3960WV-2P	3.96	7.92	SCT3960WV-12P	43.56	47.52
SCT3960WV-3P	7.92	11.88	SCT3960WV-13P	47.52	51.48
SCT3960WV-4P	11.88	15.84	SCT3960WV-14P	51.48	55.44
SCT3960WV-5P	15.84	19.80	SCT3960WV-15P	55.44	59.40
SCT3960WV-6P	19.80	23.76	SCT3960WV-16P	59.40	63.36
SCT3960WV-7P	23.76	27.72	SCT3960WV-17P	63.36	67.32
SCT3960WV-8P	27.72	31.68	SCT3960WV-18P	67.32	71.28
SCT3960WV-9P	31.68	35.64	SCT3960WV-19P	71.28	75.24
SCT3960WV-10P	35.64	39.60	SCT3960WV-20P	75.24	79.20
SCT3960WV-11P	39.60	43.56			

**SPECIFICATIONS**  
 Voltage Rating: 250V AC/DC  
 Current Rating: 7A AC/DC  
 Withstanding Voltage: 1500V AC/minute  
 Insulation Resistance: 1000MΩ min.  
 Temperature Range: -25° C - +85° C  
 Contact Resistance: 20mΩ max

WAFER  
 Part No: SCT3960WV-XXP  
 Pole: 02-20  
 Material: Nylon 66, UL94V-2  
 Pin: Brass, Tin plated

OPERATION	DRAW	CHENA	2005.03.13	SCALE	
DESIGN				UNIT	mm
CHECK	MICKY		2005.03.13	SIZE	A4
ANGLE				SHEET	1/1
DIM	APPROVE	HELLEN	2005.03.13	PROU.	
TOL				DRAWING NO.	

**SCONDAR** 森康达电子有限公司  
 SCONDAR ELECTRONIC LIMITED

SCT3960WV-XXP

MOLEX3.96 180C WAFER

SCT3960

1 2 3 4 5 6 7 8 9 10

H 0 05/12/27 NEW DATE MODIFICATION DESCRIPTION CHANGE APPROVE

REV DATE

MODIFICATION DESCRIPTION

CHANGE APPROVE

OPERATION

DRAW

CHENA

2005.03.13

SCALE

UNIT

mm

SIZE

A4

SHEET

1/1

PROU.

DRAWING NO.

SCT3960

SCT3960

H

H

G

G

F

F

E

E

D

D

C

C

B

B

A

A

1

2

3

4

5

6

7

8

9

10