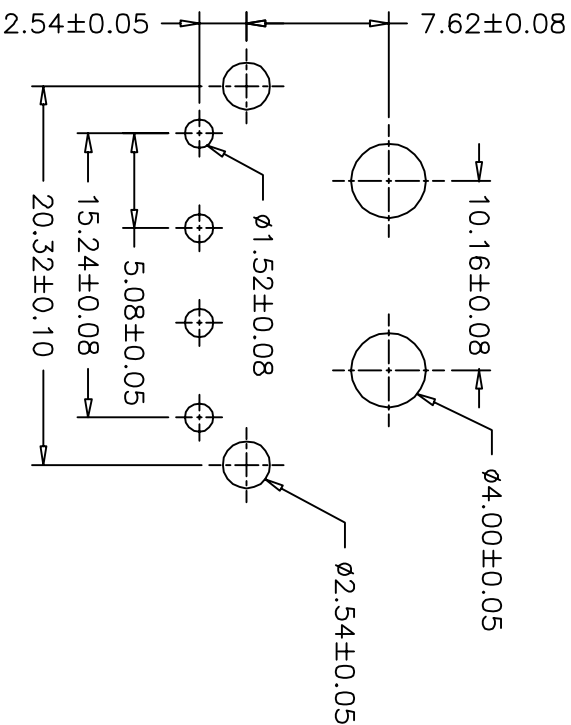


**SPECIFICATIONS**  
 Voltage Rating: 250V AC/DC  
 Current Rating: 10A AC/DC  
 Withstanding Voltage: 1500V AC/minute  
 Insulation Resistance: 1000MΩ min.  
 Temperature Range: -25° C - +85° C  
 Contact Resistance: 20mΩ max

**WAFER**  
 Part No: SCT5083WRA-F-04P  
 Material: Nylon 66, UL94V-2  
 Pin: Brass, Tin plated



P.C.B. LAYOUT

OPERATION	~ 10	±0.15	DRAW	JUDY	2007.05.09	SCALE	森康达电子有限公司 SCONDAR ELECTRONIC LIMITED		
DESIGN	20 ~ 30	±0.30	CHECK	MICKY	2007.05.09	UNIT	mm		
Angle	30 ~	±0.50	APPROVE	HELLEN	2007.05.09	SIZE	A4		
DIM	± 2'					SHEET	1/1		
TOL						PROJ.	DRAWING NO.		
REV	DATE	MODIFICATION DESCRIPTION	CHANGE	APPROVE			PART NO.	SCT5083WRA-F-04P	
0	05/12/27	NEW					TITLE:	MOLEX8981 90C WAFER	
1							DRAWING NO.	SCT5083	